

BERTSCHenergy

Power plants
Process equipment

90
YEARS

TRADITION
QUALITY
KNOW-HOW
SINCE 1925

Express Engineering and Production Service

Reference Sheet

For very urgent revamps pressure equipment even made of delicate materials has to be designed, fabricated, tested and transported to site only in a few months. And sacrificing quality is no option.



BERTSCH

TRADITION, QUALITY, KNOW-HOW. SINCE 1925

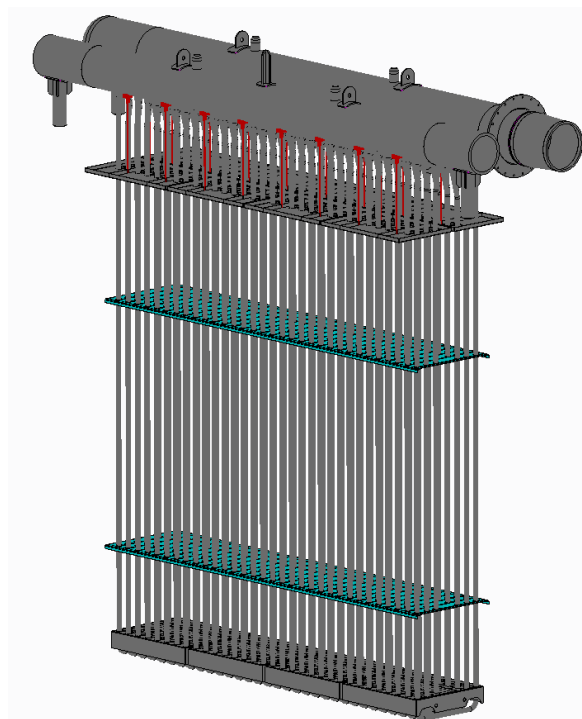
» Express Engineering and Production Service for Urgent Revamps and Short-Term Projects «

SCOPE OF SUPPLY

- » Heat engineering & statical calculations
- » 3D and 2D Construction
- » Preacceptance test with notified body
- » Manufacturing and testing in own Austrian workshop
- » Transport planning and shipping to site

REFERENCE EXAMPLES

- » 4 Coils for a Heat Recovery System in Finland
Materials: TP347, 1.4828, SA355 P11, SA209 T1, SA106. Total weight: 50 to
Delivery Time: 4,5 Months
- » 1 Coil for a Heat Recovery System in Trinidad
Materials: Alloy800H, 304H, 1.4828. Weight: 17 to
Delivery Time: 6 Months
- » 1 Coil for a Heat Recovery System in Saudi Arabia
Materials: TP347, 1.4828. Weight: 48 to
Delivery Time: 8 Months



Es ist nicht zu wenig Zeit, die wir haben, sondern es ist zu viel Zeit, die wir nicht nutzen.

Lucius Annaeus Seneca, römischer Philosoph

