

BERTSCHfoodtec

Technology for the
food industry



TRADITION
QUALITY
KNOW-HOW
SINCE 1925

Cheese Brine System

Efficient and cost effective



TRADITION, QUALITY, KNOW-HOW. SINCE 1925



BERTSCHfoodtec
Automated loading system
for your cheese brine bath



» Quality is our tradition

» Easy and efficient loading and unloading of brine cages«

The name BERTSCH is closely linked to the dairy industry since the company was founded in 1925. Decades of experience in manufacturing enables us to constantly develop new innovative production concepts, such as our latest development: A fully automated loading system of brine cages.

The system will enhance the automation of your cheese line and your brine. Innovative technology not only saves precious personnel costs, it also increases your uptime. A tailored solution for your operation guarantees gentle handling and consistently high quality. Leading dairies around the world are successfully using our new BERTSCH brine systems.

» BERTSCHfoodtec – your partner for cheese brine systems

- » Uncompromising quality
- » Innovative technology
- » Perfectly hygienic solutions
- » Complete provider for dairy facilities
- » Years of experience and expertise

»Higher quality and increased availability through fully automated loading and unloading of brine cages«

To ensure an optimal process flow with minimal space requirements, we tailor our brine systems to fit your production line. Cheese is transported directly from the cheese press to the brine cages, where it is automatically loaded. Once the process is completed the cheese is automatically unloaded and can be transported to your ripening room. Optionally scales and labelling systems can be installed.

» Innovative design

- » Stainless-steel construction
- » Highest quality components
- » Low maintenance
- » Higher uptime

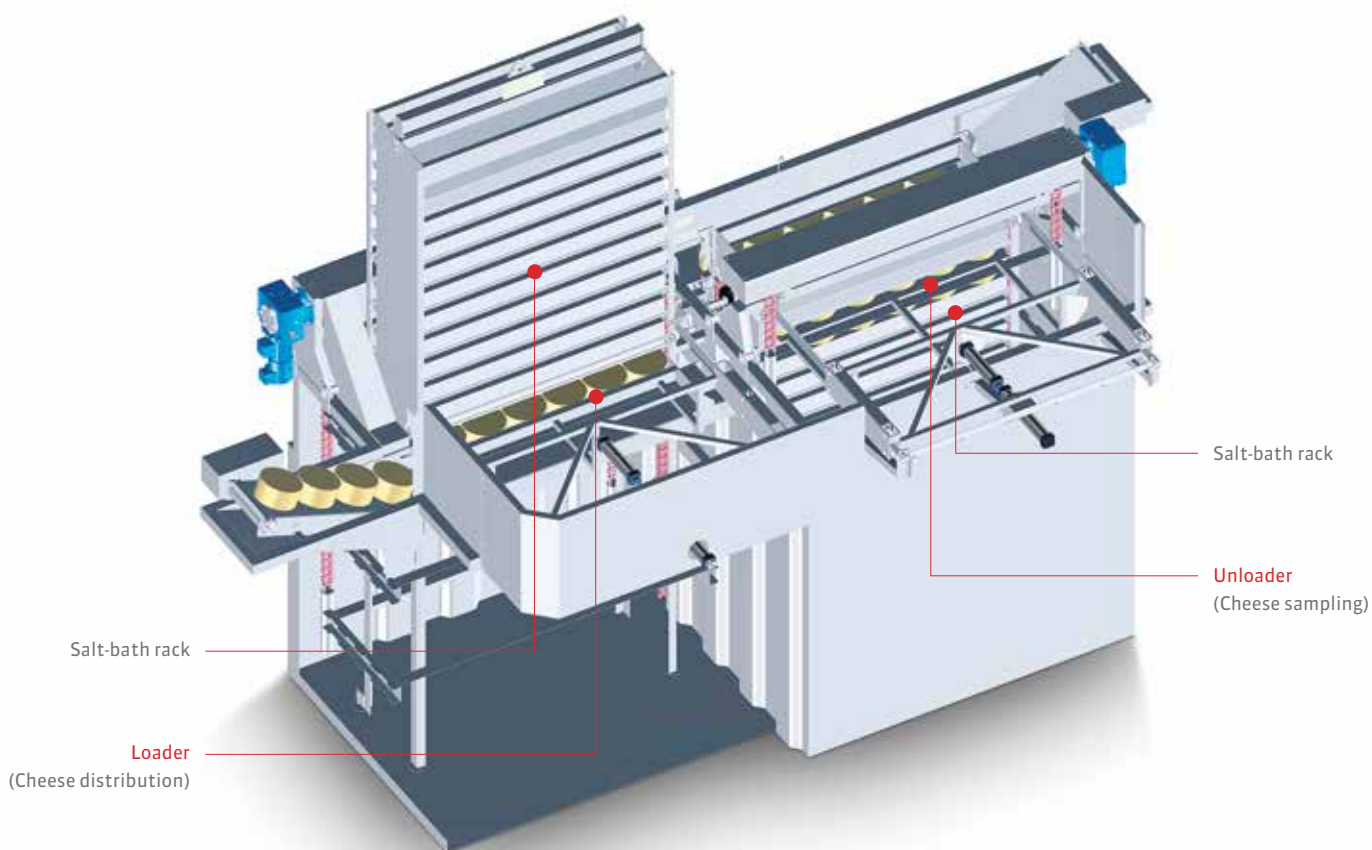
» High quality

- » Consistent and gentle treatment of cheese
- » Fully automated process
- » Remote maintenance
- » Reduced personnel costs



»Efficiency through intelligent technology«

Driven by innovation we developed the automated loading system for our brine bath solutions. Cheese is transported from the press directly into the brine cages. The brine cages are then lifted into the brine bath by crane. Unloading of the cages is also fully automated and can be connected to your ripping room. We invented the loading system to improve the handling of cheese and to facilitate the work for our customers.



» BERTSCHfoodtec – additional equipment for your brine system

» Stainless steel brine bath

» Salt-dissolution station

» Brine cooling

» Brine buffer tank

» Filter system for brine purification

» Conventional brine cages

Contact

BERTSCHgroup EU

Bertsch Holding GmbH
T +43 5552 61 35-0
F +43 5552 61 35-70
Herrengasse 23
6700 Bludenz | Austria
bertschgroup@bertsch.at

BERTSCHenergy

Bertsch Energy GmbH & Co KG
T +43 5552 61 35-0
F +43 5552 663 59
Herrengasse 23
6700 Bludenz | Austria
bertschenergy@bertsch.at

Bertsch Energy GmbH & Co KG
T +43 1 795 74-0
F +43 1 798 56 22
Baumgasse 68
1030 Vienna | Austria
bertschenergy@bertsch.at

Bertsch Energy Deutschland GmbH
T +49 6221 4351-0
F +49 6221 4351-657
Schlosskirschenweg 24
69124 Heidelberg | Germany
bertschenergy@bertsch.de

Bertsch Polska SP. z o.o.
T +48 12 341 43 66
F +48 12 341 43 66
ul. J. Conrada 51
31-357 Kraków | Poland
bertschpolska@bertsch.pl

Bertsch Schweiz AG
T +41 71 855 23 52
F +41 71 855 23 53
Business Center
Flughafenstrasse 11
9423 Altenrhein | Switzerland
bertschschweiz@bertsch.ch

BERTSCHfoodtec

Bertsch Foodtec GmbH
T +43 5552 61 35-0
F +43 5552 61 35-73
Herrengasse 23
6700 Bludenz | Austria
bertschfoodtec@bertsch.at

Bertsch Foodtec Italien
T +39 339 262 22 41
F +43 5552 61 35-73
Via Divisione Acqui, 4
41012 Carpi (Modena) | Italy
bertschfoodtec@bertsch.it

BERTSCHlaska

Bertsch-Laska Produktions-
und Handels-GmbH
T +43 1 795 74-0
F +43 1 798 56 22
Baumgasse 68
1030 Vienna | Austria
bertschlaska@bertsch.at

Bertsch Laska Vilnius
T +370 523 756 55
F +370 523 756 54
Verkių g. 34
08221 Vilnius | Lithuania
bertschlaska@bertsch.lt

BERTSCHgroup GUS

Bertsch Laska Moskau
T +7 495 695 12 50
F +7 495 695 12 71
Korobeynikov per. 22, str. 3
119034 Moscow | Russia
bertsch.moskau@bertsch-laska.ru

OOO „BERTSCHgroup RUS“
T +7 495 695 12 60
F +7 495 695 12 71
Korobeynikov per. 22, str. 3
119034 Moscow | Russia
bertsch.moskau@bertschgroup.com

Bertsch Laska Krasnodar
T +7 918 493 26 30
ul. Krasnoarmeyskaya/
Kuznechnaya 116/2
350015 Krasnodar | Russia
bertsch.krasnodar@bertsch-laska.ru

Bertsch Laska Minsk
T +375 17 202 46 92
F +375 17 202 46 93
Prospekt Pobediteley, 89/3-8B
220020 Minsk | Belarus
bertschlaska@bertsch.by

Bertsch Energy Minsk
T +375 17 369 54 13
F +375 17 202 46 93
Prospekt Pobediteley, 89/3-8C
220020 Minsk | Belarus
bertschenergy@bertsch.by

Bertsch International OOO
T +375 17 202 46 93
F +375 17 202 46 93
Prospekt Pobediteley, 89/3-8E
220020 Minsk | Belarus
bertschinternational@bertsch.by

www.bertsch.at



BERTSCH

TRADITION, QUALITY, KNOW-HOW. SINCE 1925